

S-5![®]

The Right Way

S-5-KL7[™]

S-5-KL7[™]

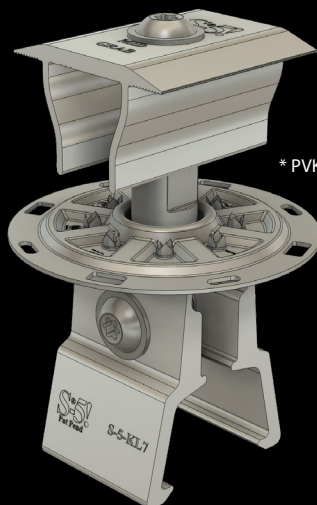
The S-5-KL7 Clamp is engineered specifically for the LYSAGHT KLIP-LOK 700 HI-STRENGTH[®] concealed-fix metal roof profile.

This new solution offers unparalleled holding strength for lighter-duty fixing, such as solar panels, pipe clamps for conduit and utilities. Crafted from 6000 series aluminium, the S-5-KL7 offers exceptional durability and resistance to corrosion, which is critical for harsh Australian and Asian climates.

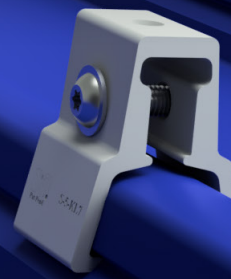
Pair with the PVKIT[®]

The S-5-KL7 can be paired with the S-5! PVKIT* rail-less solar solution to:

- Reduce the weight of the mounting system by 85%
- Provide 25% better load distribution
- Use 70% fewer components
- Lower material costs



* PVKIT sold separately



Features and Benefits

- **Designed for LYSAGHT KLIP-LOK 700 HI-STRENGTH**
- **Zero-penetration fixing with unmatched holding strength**
- **Quick, easy installation**
- **Long-lasting solution for lighter-duty attachments**
- **Pairs with the PVKIT for rail-less solar fixing**
- **6000 series aluminium is durable and corrosion resistant**

The Right Way[™] to attach almost anything to metal roofs!

+61 3 8595 7001 | www.S-5.com.au |



Made in USA

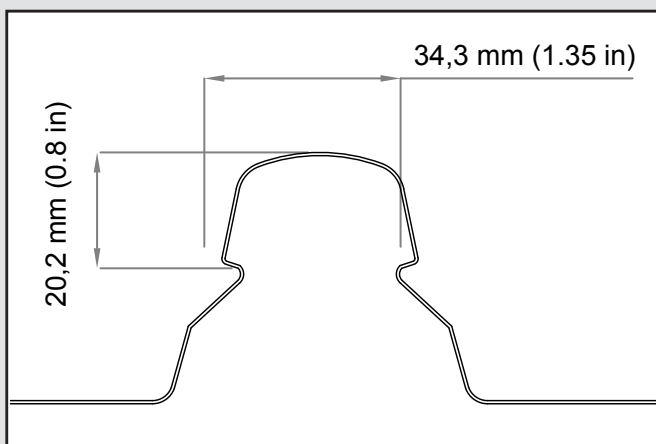


The S-5-KL7 is an ideal solution for fixing solar panels, pipe clamps for conduit and lighter-duty utilities on LYSAGHT KLIP-LOK 700 HI-STRENGTH® roof profiles.

The S-5-KL7 is an ideal solution for fixing solar panels, pipe clamps for conduit and lighter-duty utilities on LYSAGHT KLIP-LOK 700 HI-STRENGTH roof profiles.

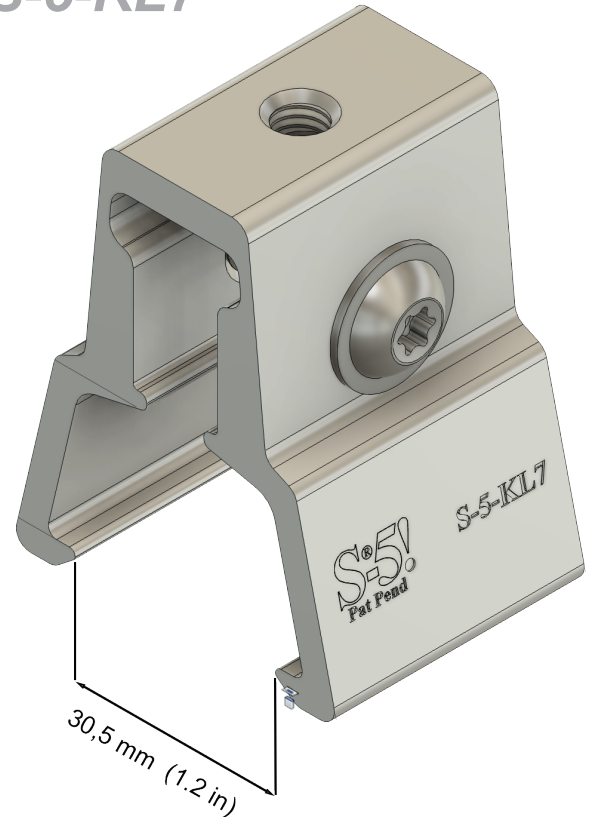
The S-5-KL7 is supplied with an M8 bolt shown to the right. The S-5-KL7 is an aluminium attachment clamp, compatible with most common metal roofing materials (excluding copper). Please visit www.S-5.com.au for more information, including CAD details, metallurgical compatibilities and specifications.

S-5! holding strength is unmatched in the industry.

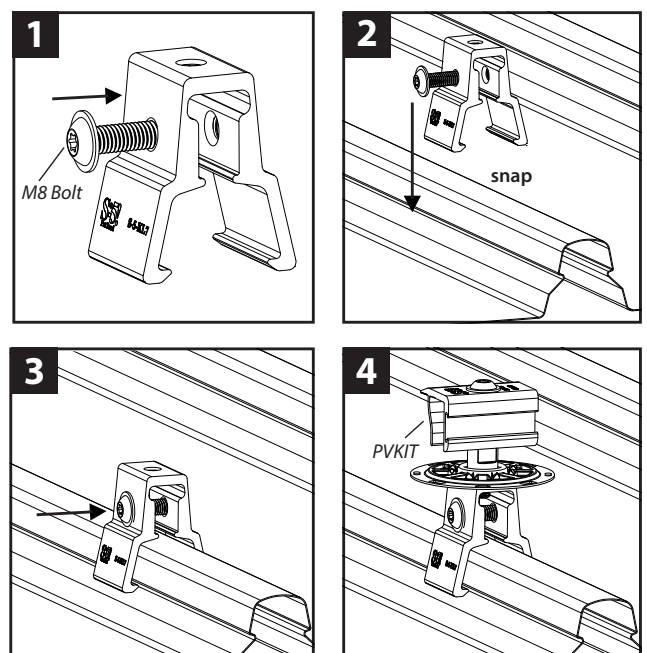


LYSAGHT KLIP-LOK 700 HI-STRENGTH

S-5-KL7™



User-Friendly Installation!



S-5!® Warning! Please use this product responsibly!

Products are protected by multiple U.S. and foreign patents. Visit the website at www.S-5.com for complete information on patents and trademarks. For maximum holding strength, setscrews should be tensioned and re-tensioned as the seam material compresses. Clamp setscrew tension should be verified using a calibrated torque wrench between 160 and 180 inch pounds when used on 22ga steel, and between 130 and 150 inch pounds for all other metals and thinner gauges of steel. Consult the S-5! website at www.S-5.com for published data regarding holding strength.

Copyright 2024, Metal Roof Innovations, Ltd. S-5! products are patent protected. S-5! aggressively protects its patents, trademarks and copyrights. Version 100324.

Distributed by