



RIGHT WAREHOUSING®
SOLUTIONS

Exporters, Importers, Manufacturers And Distributors

**RIGHT METAL ROOFING FASTENERS,
ATTACHMENTS, SEALANTS, BUTYL TAPES
AND FOAM CLOSURE**

All India Direct Supplies



fasteners@rightwarehouse.com

SCREWORKSTM

Stratus Steel Pvt. Ltd.

METAL SHEETING SELF DRILLING SCREW



BIS CERTIFIED IS 18476:2023



INTRODUCTION

Screwworks is committed to designing and manufacturing high-precision fixing and fastening solutions for the industrial, roofing, and steel framing construction sectors. With a growing international presence, we continue to uphold our strong family business values. These values shape every aspect of our work, ensuring consistent quality, reliability, and excellence in our products and services. We are a brand built on manufacturing expertise, delivering screws engineered to hold strong and last long.



We are a brand with manufacturing expertise, delivering screws that are built to hold and last.

OUR VISION

At Screwworks, our vision is to deliver technically sound support that extends beyond product supply. We focus on providing engineered guidance, application-specific assistance, and reliable problem resolution. By aligning with our customers' technical requirements, we ensure consistent performance and support throughout every stage of project execution.

OUR PHILOSOPHY

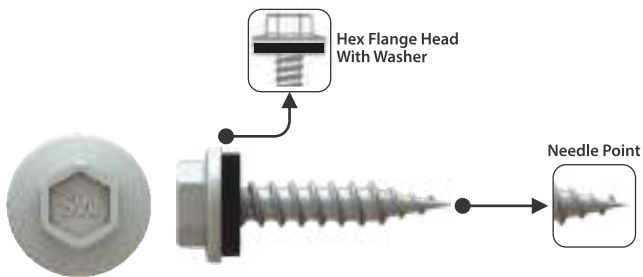
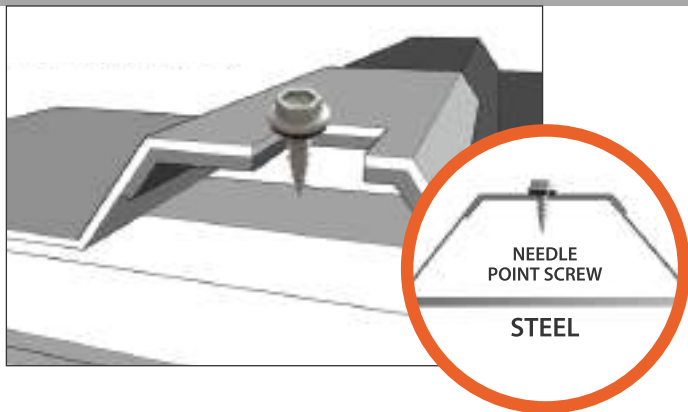
Our philosophy is driven by innovation, precision engineering, and process excellence. We are committed to developing high-quality fastening solutions that not only comply with but surpass industry specifications. Through continuous R&D, material optimization, and rigorous quality control, we strive to enhance product performance and deliver long-term value across all applications.



STITCHING SCREW

Screwworks® Stitching Screw - SW.NP-2-4.8

Ideal for side lap stitching of profiled steel sheets and light metal assemblies.



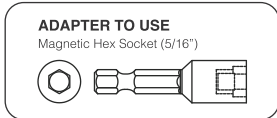
C3 RustGuard

Corrosion Resistance: 1000 Hours SST +
Kesternich Test: 7 Cycles



ZINC PLATE COATED

Corrosion Resistance: 240 hrs



Steel Penetration

Max. Drilling Capacity 1+1mm thick



EPDM bonded sealing (EA) washer for maximum weather protection

OD : 14 mm
THICKNESS : 0.4+2.5mm



Hex Nut Driver Bit Tip



EPDM sealing washer for maximum weather protection (E)

OD : 9.9 mm
THICKNESS : 2.5mm

Available Range

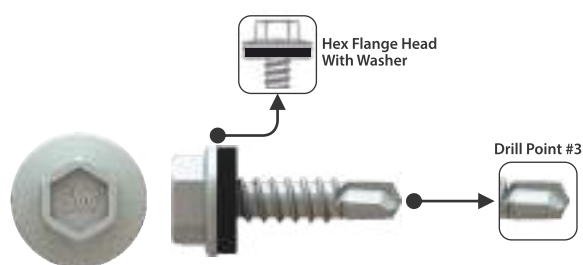
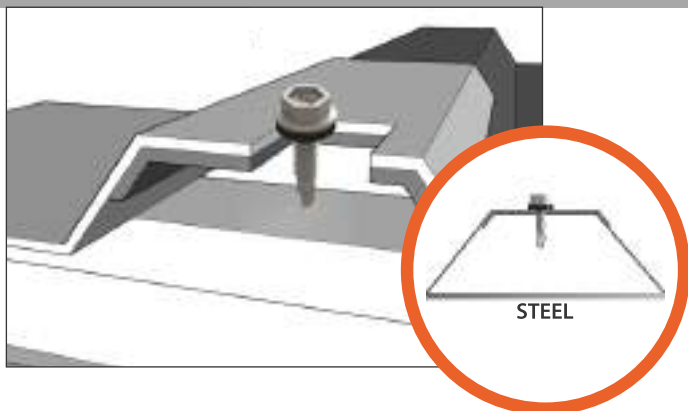
#10 Gauge(4.8 / 10g /3/16")

HF10GB19NPC3E 10g-16 x 19mm

STITCHING SCREW

Screwworks® Stitching Screw- SW.SD-3-4.8

Ideal for side lap stitching of profiled steel sheets and light metal assemblies.



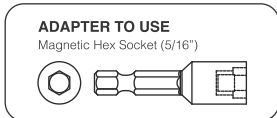
C3 RustGuard

Corrosion Resistance: 1000 Hours SST +
Kesternich Test: 7 Cycles



ZINC PLATE COATED

Corrosion Resistance: 240 hrs



Steel Penetration

Max. Drilling Capacity 3mm thick



EPDM bonded sealing (EA) washer for maximum weather protection

OD : 14 mm
THICKNESS : 0.4+2.5mm



Hex Nut Driver Bit Tip



EPDM sealing washer for maximum weather protection (E)

OD : 9.9 mm
THICKNESS : 2.5mm

Available Range

#10 Gauge(4.8 / 10g /3/16")

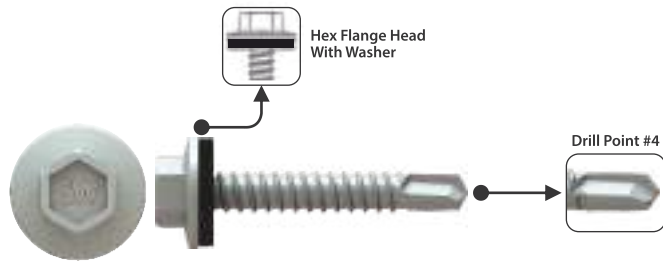
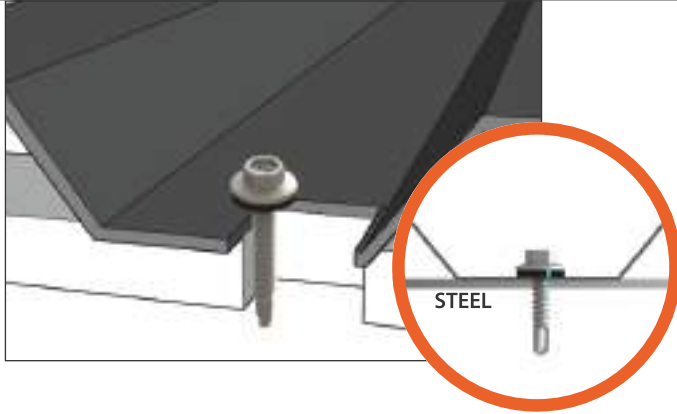
HF10GB19SDC3E 10g-16 x 19mm
HF10GB25SDC3E 10g-16 x 25mm



VALLEY FIXING SCREW

Screwworks® VALLEY Fixing Screw- SW.SD-6-5.5

Ideal for fixing steel sheets onto steel substrates



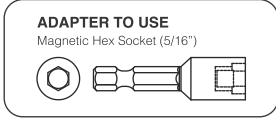
C3 RustGuard

Corrosion Resistance: 1000 Hours SST +
Kesternich Test: 7 Cycles



ZINC PLATE COATED

Corrosion Resistance: 240 hrs



Steel Penetration

Max. Drilling Capacity 6 mm thick



EPDM bonded sealing (EA) washer for maximum weather protection

OD : 16mm
THICKNESS : 0.4+2mm



EPDM sealing washer for maximum weather protection

OD : 11 mm
THICKNESS : 2.5mm



Hex Nut Driver Bit Tip

Available Range

#12 Gauge(5.5/12g/7/32")

HF12GB25SDC3E 12g-14 x 25mm

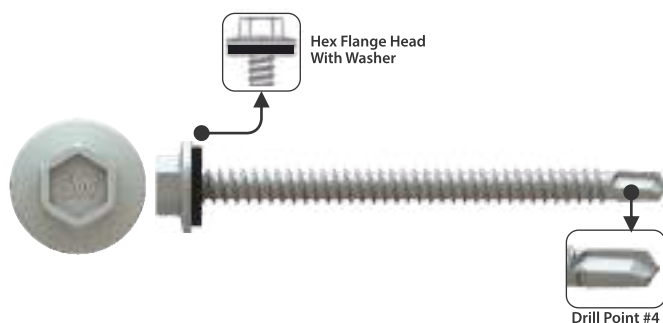
HF12GB35SDC3E 12g-14 x 35mm

HF12GB45SDC3E 12g-14 x 45mm

CREST FIXING SCREW

Screwworks® Crest Fixing Screw- SW.SD-6-5.5

Ideal for fixing steel sheets onto steel substrates



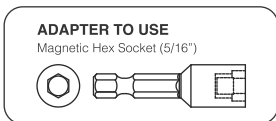
C3 RustGuard

Corrosion Resistance: 1000 Hours SST +
Kesternich Test: 7 Cycles



ZINC PLATE COATED

Corrosion Resistance: 240 hrs



Steel Penetration

Max. Drilling Capacity 6mm thick



EPDM bonded sealing (EA) washer for maximum weather protection

OD : 16mm
THICKNESS : 0.4+2mm



EPDM sealing washer for maximum weather protection

OD : 11 mm
THICKNESS : 2.5mm



Hex Nut Driver Bit Tip

Available Range

#12 Gauge(5.5/12g/7/32")

HF12GB55SDC3E 12g-14 x 55mm

HF12GB65SDC3E 12g-14 x 65mm

HF12GB75SDC3E 12g-14 x 75mm

HF12GB85SDC3E 12g-14 x 85mm

HF12GB90SDC3E 12g-14 x 90mm

HF12GB100SDC3E 12g-14 x 100mm

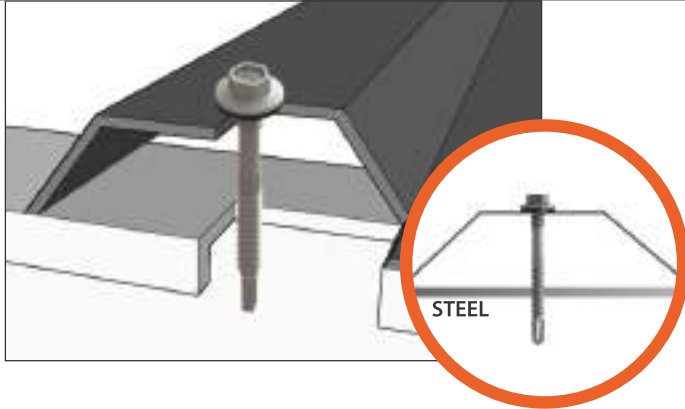
HF12GB110SDC3E 12g-14 110mm



CREST FIXING SCREW - DUAL THREAD

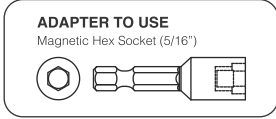
Screwworks® Crest Fixing Screw- SW.SD.DT-6-5.5

Ideal for fixing steel sheets onto steel substrates



C3 RustGuard

Corrosion Resistance: 1000 Hours SST +
Kesternich Test: 7 Cycles



ZINC PLATE COATED

Corrosion Resistance: 240 hrs

Steel Penetration

Max. Drilling Capacity 6 mm thick



EPDM bonded sealing (EA) washer for maximum weather protection

OD : 16mm
THICKNESS : 0.4+2mm

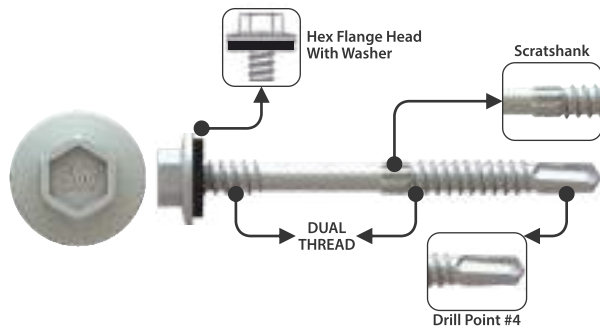


Hex Nut Driver Bit Tip



EPDM sealing washer for maximum weather protection

OD : 11 mm
THICKNESS : 2.5mm



Available Range

#12 Gauge(5.5/12g/7/32")

HF12GB55KSDC3E 12g-14 x 55mm

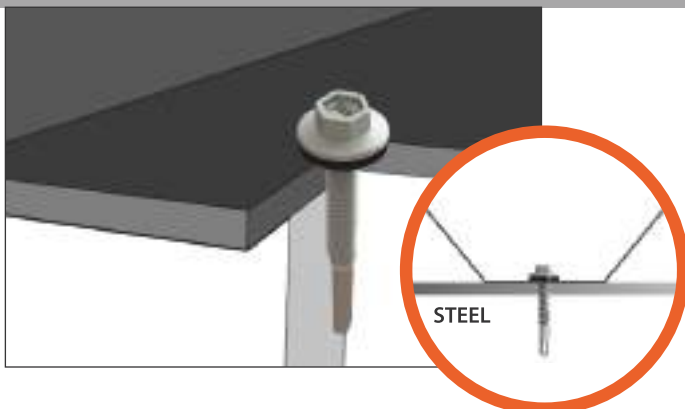
HF12GB65KSDC3E 12g-14 x 65mm

HF12GB75KSDC3E 12g-14 x 75mm

FIXING TO THICK STEEL

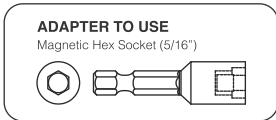
Screwworks® Heavy Duty Self Drilling SCrews- SW.SD.DT-12-5.5

Ideal for fixing steel sheets onto heavy steel substrates



C3 RustGuard

Corrosion Resistance: 1000 Hours SST +
Kesternich Test: 7 Cycles



ZINC PLATE COATED

Corrosion Resistance: 240 hrs

Steel Penetration

Max. Drilling Capacity 12mm thick



EPDM bonded sealing (EA) washer for maximum weather protection

OD : 16mm
THICKNESS : 0.4+2mm

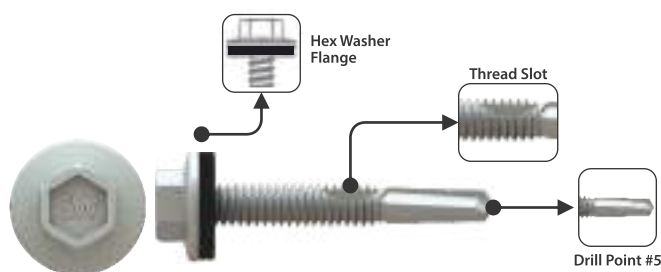


Hex Nut Driver Bit Tip



EPDM sealing washer for maximum weather protection

OD : 11 mm
THICKNESS : 2.5mm



Available Range

#12 Gauge(5.5/12g/7/32")

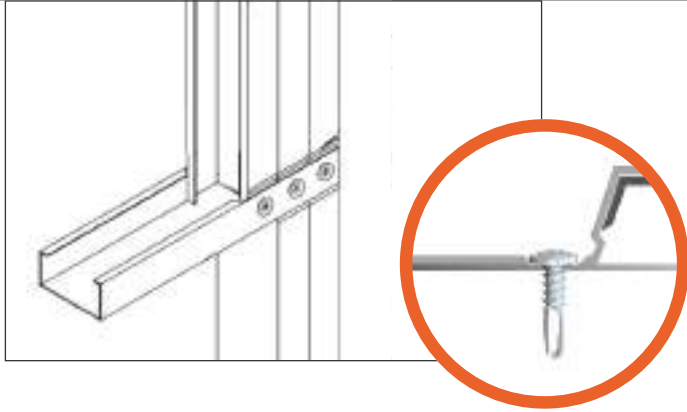
HF12GB32SDE 12g-24 x 35mm

HF12GB50SDE 12g-24 x 65mm



Screwworks® FRAME ASSEMBLY Self Drilling Screws- SW.SD-3-4.8

Ideal For Frame Assembly , Metal To Metal



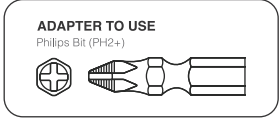
C3 RustGuard

Corrosion Resistance: 1000 Hours SST +
Kesternich Test: 7 Cycles



ZINC PLATE COATED

Corrosion Resistance: 240 hrs



Steel Penetration
Max. Drilling Capacity 3 mm thick

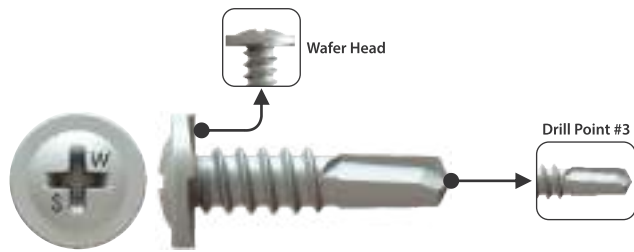
Available Range

#10 Gauge(4.8 / 10g /3/16")

PWH10GB16SDC3 10g-16x 16mm

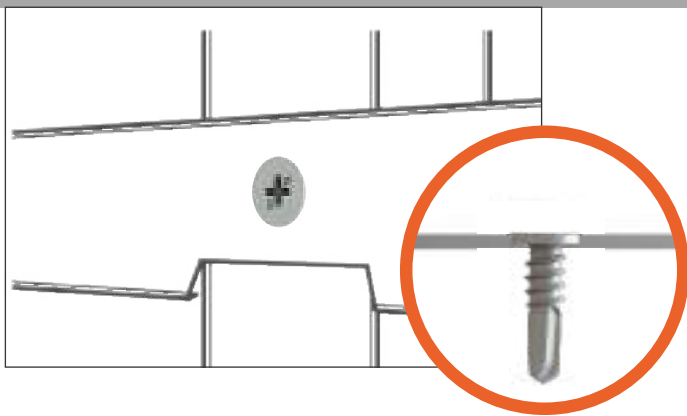
PWH10GB19SDC3 10g-16x 19mm

PWH10GB25SDC3 10g-16 x 25mm



CONCEALED FIXING SCREW

Screwworks® concealed fixing Self Drilling Screws- SW.SD-3-4.8



C3 RustGuard

Corrosion Resistance: 1000 Hours SST +
Kesternich Test: 7 Cycles

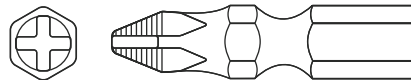


ZINC PLATE COATED

Corrosion Resistance: 240 hrs

ADAPTER TO USE

Phillips Bit (PH2+)



Steel Penetration
Max. Drilling Capacity 3mm thick

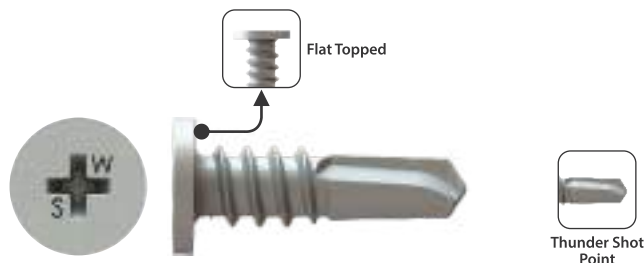


Phillips Nut Driver Bit Tip

Available Range

#10 Gauge(4.8 / 10g /3/16")

F10GB19SDC3 10g-16 x 19mm

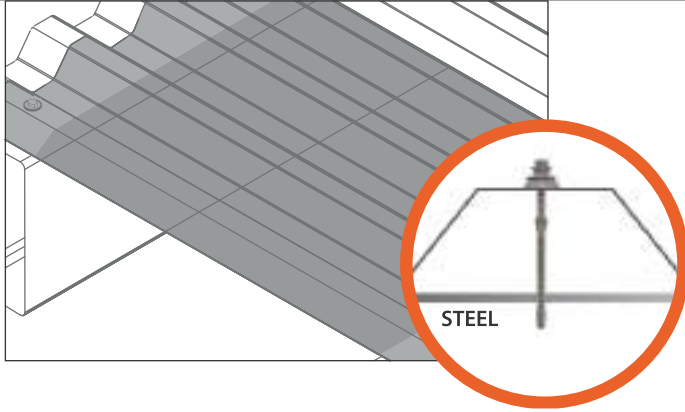




FIBRE CEMENT ROOF SHEET FIXING SCREW

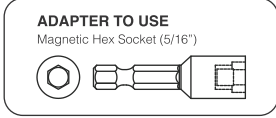
Screwworks® Fibre Cement Roof Sheet Screws- SW.SD-5.5

Ideal For Fixing Fibre Roof Cement Sheets Onto Steel Substrates



C3 RustGuard

Corrosion Resistance: 1000 Hours SST +
Kesternich Test: 7 Cycles



ZINC PLATE COATED

Corrosion Resistance: 240 hrs

Steel Penetration

Max. Drilling Capacity 5.5 mm thick

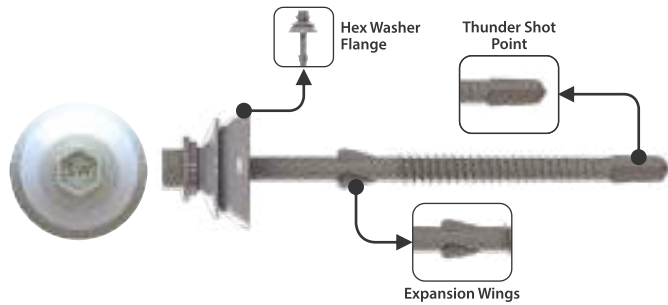


Hex Nut Driver Bit Tip



WASHER

Ø 25mm Dome Grey EPDM
/ Black epdm



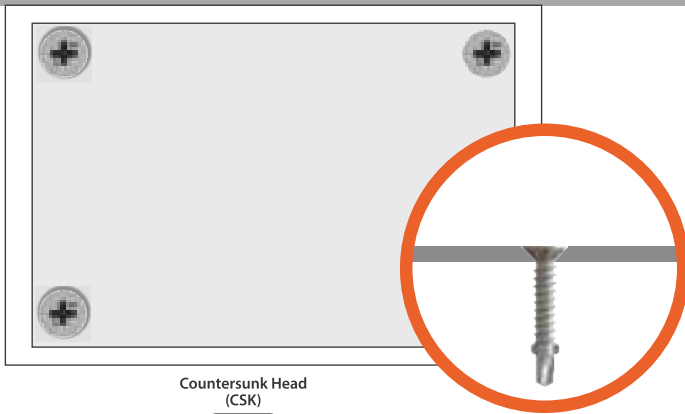
Available Range

#12 Gauge(5.5/12g/7/32")

HF12GB100SDC3ED 12g-14 x 100mm

HF12GB110SDC3ED 12g-14 x 110mm

FIBRE CEMENT BOARD SHEET WITH WINGS



C3 RustGuard

Corrosion Resistance: 1000 Hours SST +
Kesternich Test: 7 Cycles

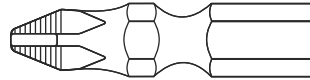


ZINC PLATE COATED

Corrosion Resistance: 240 hrs

ADAPTER TO USE

Phillips Bit (PH2+)



Steel Penetration

Max. Drilling Capacity 3mm thick



Phillips Nut Driver Bit Tip

Available Range

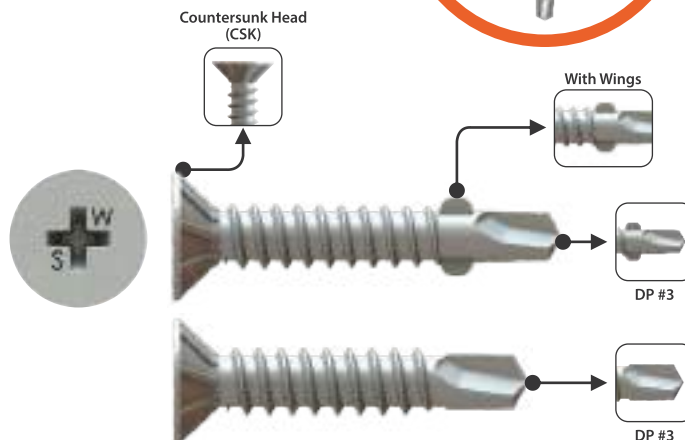
#8G -25/38/50 - CSK-S8GB25SDWC3

#10G-25/38/45 - CSK-S10GB25SDWC3

Available Range

#8G-19/25/38/50 - CSK-S8GB25SDC3

#10G-19/25/38 - CSK-S10GB25SDC3





QUALITY CONTROL IN PROCESS

PRE-PRODUCTION INSPECTION

Drawing Check
Specific Conditions Check

HEADING/THREADING/PINCH POINTING

Machinery Condition Check
Molds and Dies Inspection and Setup

FINAL INSPECTION

Dimension Check
Functionality Check
Visual Check

PRE-SHIPMENT INSPECTION

Manual Sorting and Rearrangement
Optical Sorting (Optional)

PRE-SHIPMENT SAMPLES SENT UPON REQUEST

HEAT TREATMENT

Strictly Controlled Process
Fully equipped with well maintained case depth and
hardness testers

SURFACE TREATMENT

Well Equipped with Salt-Spray and
Corrosion Test Machinery





CERTIFICATIONS



BIS Certified

Screworks Fasteners Meet The Quality and Safety Standards Set by the Bureau of Indian Standard (BIS), Ensuring Reliable Performance and Compliance with National Specification

ISO Certified

Our Iso Certification Reflects Adherence to International Quality Management Systems, Ensuring Consistent Production, Precision, and Customer Satisfaction

QUALITY COMMITMENT

Our Certifications Reinforce Our Focus on:



Precision Manufacturing



Continuous Improvement



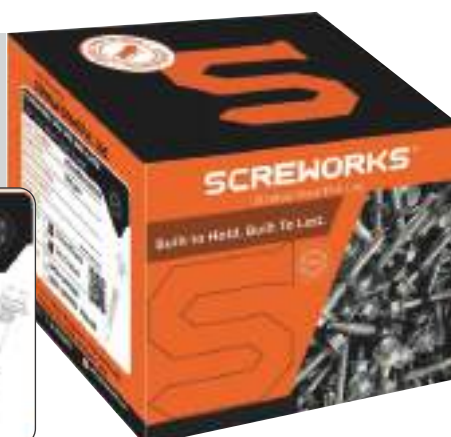
Strong Process Control



Reliable, Compliant Fastening Solution

PRODUCT PACKAGING AND LABEL


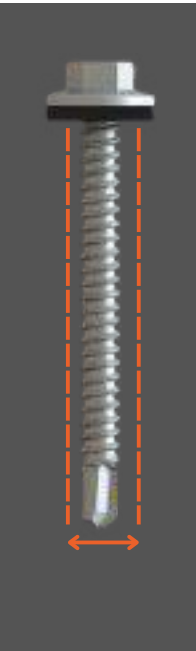

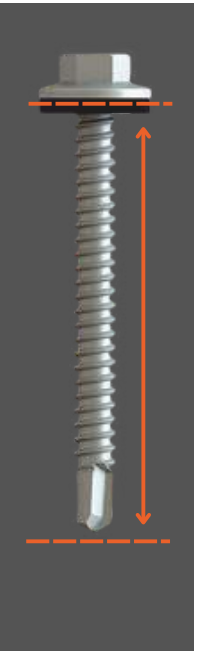












Screworks packaging reflects Precision, Strength, and Innovation with a high-impact color palette for easy recognition. The bold "S" logo symbolizes precision and adaptability, standing strong like our products.



Packaging come with large, easy to read product labels. Each product has its own unique label showing the product category, quantity, size, part no., and description. To re-order, use the Part No., description and code indicated below. This information can be easily obtained from any of our exciting packaging.

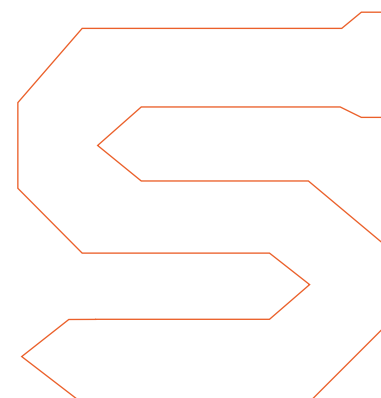


PART CODE

HEAD STYLE	GAUGE	THREAD TYPE	LENGTH	POINT TYPE	CORROSION	WASHER			
 HF				 SD	 C3 RustGuard C3	 EPDM E			
 H						 NP	 Zinc Coated Z	 EPDM Bonded EA	
 PWH				12G	B	55	 KSD	 Zinc Coated Z	 EPDM Dome Type ED
 F				10G					

Screwworks part codes are designed for clarity and convenience. Each code clearly defines the screw's head style, gauge, thread type, length, point type, corrosion protection, and washer configuration. With identifiers like C3 corrosion resistance (up to 1000 hours) and EPDM washer options, customers can quickly identify and select the right screw for every application.

Simple codes. Precise fastening.
Trusted Screwworks performance.





At Screwworks, we prioritize the highest quality and performance in our screws. When selecting screws for industrial and construction applications, it's essential to focus on key mechanical parameters:

MECHANICAL SPECIFICATIONS				
TYPE	ULTIMATE TENSILE LOAD IN N	ULTIMATE SHEAR LOAD IN N	MINIMUM TORQUE FOR TORSIONAL STRENGTH (Nm)	PULLOUT FORCE (kN)
6G	6202	3721	2.7	-
8G	8498	5099	4.7	-
10G	11414	6848	6.9	2.5
12G	15663	9398	10.9	2.8

Screwworks screws are engineered for exceptional drilling performance, delivering both precision and efficiency across a wide range of applications. Designed to penetrate steel thicknesses from 1mm to 12mm—depending on screw gauge—they help reduce installation time without compromising quality. For consistent, reliable results, all Screwworks screws are optimized for drill speeds between 1800 and 2500 RPM, ensuring the ideal balance of speed and accuracy.



Our commitment to quality and performance is evident in every screw we produce. With superior tensile and shear strength, reliable torque resistance, and efficient drilling capabilities, Screwworks screws are the perfect choice for professionals who demand the best in fastening solutions.

SIZE		DRILLING PERFORMANCE AS PER STANDARD		SCREWWORKS MAXIMUM DRILLING THICKNESS (mm)
INCH	METRIC	TEST PLATE THICKNESS(mm)	MAXIMUM TIME (s)	
6G	3.5	1 + 1	4.5	2.8
8G	4.2	1.5 + 1.5	5	3.6
10G	4.8	2 + 2	7	5.7
12G	5.5	2 + 3	11	10

DRILL SPEED (rpm) 1800 - 2500 all sizes



Building the Future, **One**
Precision Screw at a Time

At Screwworks, we manufacture screws and fasteners tailored for steel framing and construction needs. Our products are designed for precision, strength, and durability, ensuring the perfect fit for every application.

SCREWORKSTM

Stratus Steel Pvt. Ltd.

Contact us on +91-9582 33 8989

fasteners@rightwarehouse.com

FIND US AT-

www.rightwarehouse.com | fasteners.rightwarehouse.com

www.screwworks.com

North India Office & Distribution Warehouse

RIGHT WAREHOUSING SOLUTIONS LLP

**Omkiran Logistics Park, NH-09. Village Galand,
Jindal Nagar, District Hapur, Uttar Pradesh - 201015**

